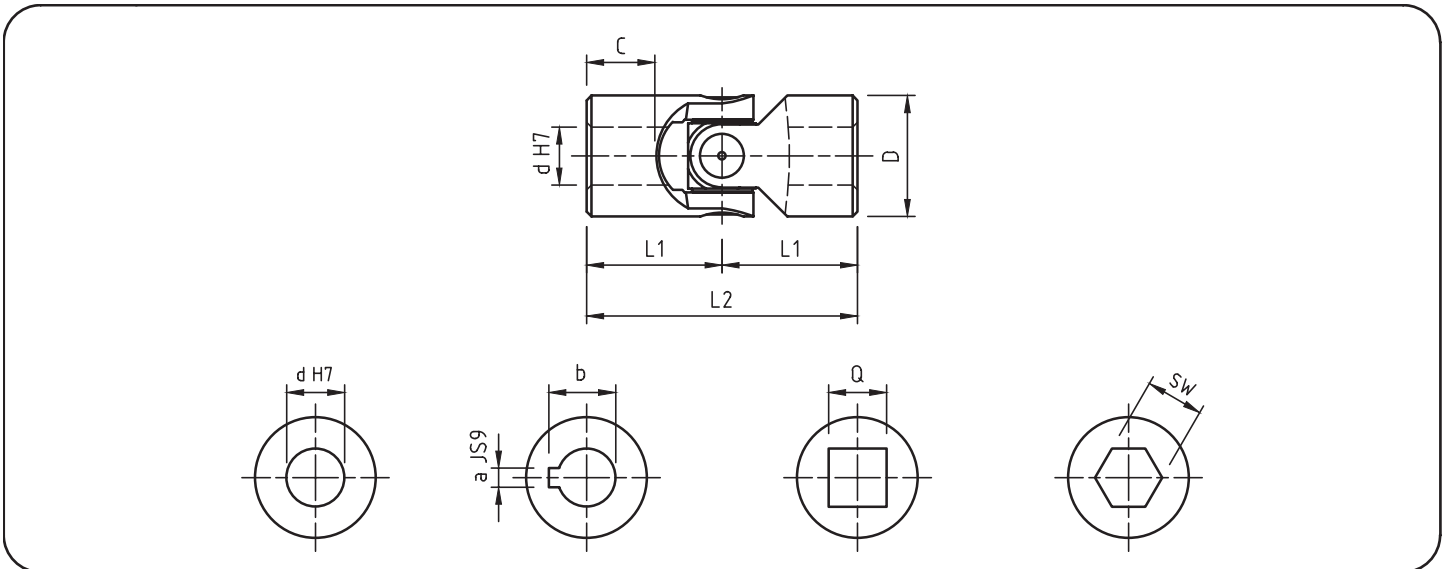




- Bussole di scorrimento anti-usura in acciaio cementato e temperato.  
*Wear resistant sliding bushes from cemented and hardened steel.*
- Robusti precisi e versatili; vasto campo di applicazione.  
*Strong precise and versatile; wide application field.*
- Angolo max : 45°. Giri max. 1000/min.  
*Max angle : 45°. Max speed 1000 R.P.M.*
- "G" corrispondenti DIN 808 - "GB" corrispondenti DIN 808/7551  
*"G" to DIN 808 - "GB" to DIN 808/7551*
- Esecuzioni speciali a richiesta.  
*Special executions on request.*



Mod. Type	Codice / Code	d	D	L2	L1	C	Codice / Code	Codice / Code	a	b	Codice / Code	Q	* SW	Peso Weight Kg
01G	SG0S 0600	6	16	34	17	8	SG0S 061C	SG0S 062C	2	7	SG0S 062Q	6	6	0,05
02G	SG0S 0800	8	16	40	20	11	SG0S 081C	SG0S 082C	2	9	SG0S 082Q	8	8	0,05
03G	SG0S 1000	10	22	48	24	12	SG0S 101C	SG0S 102C	3	11,4	SG0S 102Q	10	10	0,10
04G	SG0S 1200	12	25	56	28	13	SG0S 121C	SG0S 122C	4	13,8	SG0S 122Q	12	12	0,16
05G	SG0S 1400	14	28	60	30	14	SG0S 141C	SG0S 142C	5	16,3	SG0S 142Q	14	14	0,20
1G	SG0S 1600	16	32	68	34	16	SG0S 161C	SG0S 162C	5	18,3	SG0S 162Q	16	16	0,30
2G	SG0S 1800	18	36	74	37	17	SG0S 181C	SG0S 182C	6	20,8	SG0S 182Q	18	18	0,45
3G	SG0S 2000	20	42	82	41	18	SG0S 201C	SG0S 202C	6	22,8	SG0S 202Q	20	20	0,60
4G	SG0S 2200	22	45	95	47,5	22	SG0S 221C	SG0S 222C	6	24,8	SG0S 222Q	22	22	0,95
5G	SG0S 2500	25	50	108	54	26	SG0S 251C	SG0S 252C	8	28,3	SG0S 252Q	25	25	1,20
6G	SG0S 3000	30	58	122	61	29	SG0S 301C	SG0S 302C	8	33,3	SG0S 302Q	30	30	1,85
6G1	SG0S 3200	32	58	130	65	33	SG0S 321C	SG0S 322C	10	35,3	SG0S 322Q	30	30	2,00
7G	SG0S 3500	35	70	140	70	33	SG0S 351C	SG0S 352C	10	38,3	—	**	**	3,15
8G	SG0S 4000	40	80	160	80	38	SG0S 401C	SG0S 402C	12	43,3	—	**	**	4,60
9G	SG0S 5000	50	95	190	95	46	SG0S 501C	SG0S 502C	14	53,8	—	**	**	7,60
03GB	SGBS 1000	10	16	52	26	15	SGBS 101C	SGBS 102C	3	11,4	SGBS 082Q	8	8	0,05
04GB	SGBS 1200	12	22	62	31	18	SGBS 121C	SGBS 122C	4	13,8	SGBS 102Q	10	10	0,12
1GB	SGBS 1600	16	25	74	37	21	SGBS 161C	SGBS 162C	5	18,3	SGBS 122Q	12	12	0,20
3GB	SGBS 2000	20	32	86	43	24	SGBS 201C	SGBS 202C	6	22,8	SGBS 162Q	16	16	0,35
5GB	SGBS 2500	25	42	108	54	31	SGBS 251C	SGBS 252C	8	28,3	SGBS 202Q	20	20	0,80
6GB	SGBS 3000	30	50	132	66	38	SGBS 301C	SGBS 302C	8	33,3	SGBS 252Q	25	25	1,20
8GB	SGBS 4000	40	70	166	83	46	SGBS 401C	SGBS 402C	12	43,3	—	**	**	2,90