



TRASMISSIONI ALLUNGABILI

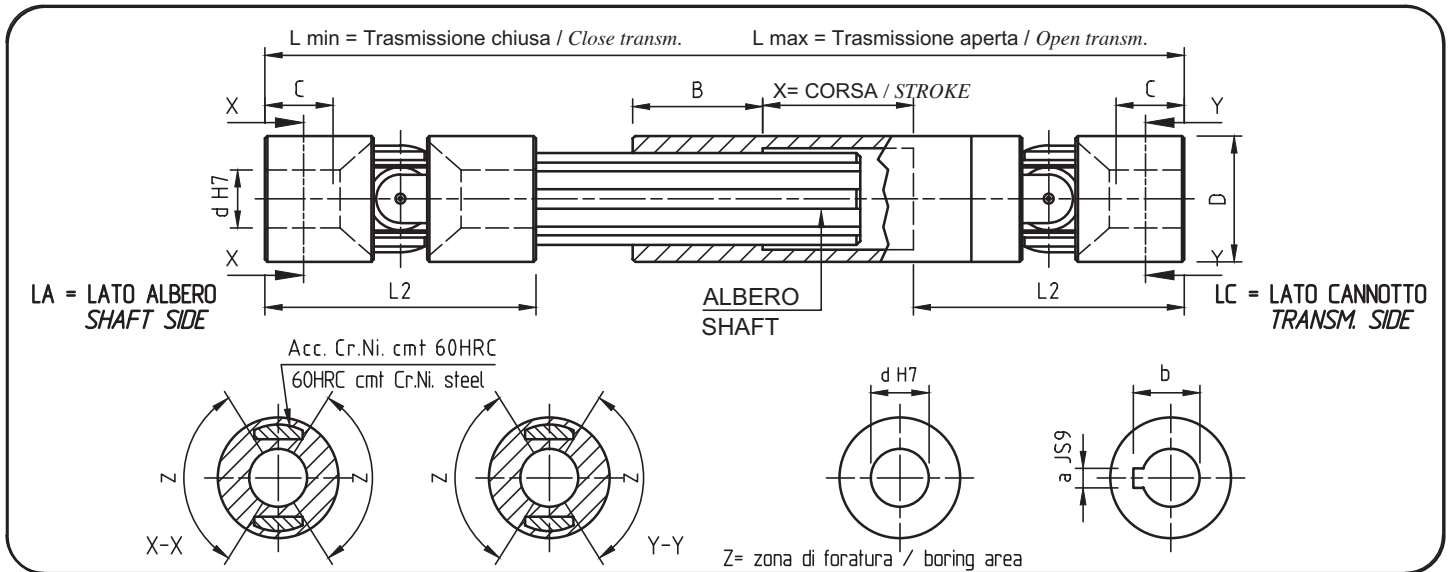
EXTENSIBLE TRANSMISSIONS

serie «S»
series (DIN 808)

● Giunti di elevata qualità serie «S».
High quality joints series «S».

● Lunghezze min. e max. a richiesta:
Min. and max. lengths on request:

$$\frac{L. MIN.}{MIN. L.} > \frac{L. MAX. + 2 L2 + B}{2} \quad \text{CORSAX} < \frac{L. MAX. - 2 L2 - B}{2}$$



| Mod. Type | d | D | L2 | C | L min. | L max. | x = corsa / stroke | B | a | b | Albero Shaft |
|-----------|----|----|-----|----|--------------------------|--------|--------------------------|----|---|------|--------------|
| | | | | | a richiesta - on request | | a richiesta - on request | | | | |
| 01A | 6 | 16 | 34 | 9 | ← | → | — | 25 | — | — | SW 8 |
| 02A | 8 | 18 | 40 | 11 | ← | → | — | 30 | — | — | SW 10 |
| 03A | 10 | 22 | 48 | 14 | ← | → | — | 30 | 3 | 11,4 | 11 x 14 Z6 |
| 04A | 12 | 26 | 56 | 16 | ← | → | — | 40 | 4 | 13,8 | 13 x 16 Z6 |
| 05A | 14 | 29 | 60 | 17 | ← | → | — | 40 | 5 | 16,3 | 13 x 16 Z6 |
| 1A | 16 | 32 | 68 | 20 | ← | → | — | 40 | 5 | 18,3 | 16 x 20 Z6 |
| 2A | 18 | 37 | 74 | 21 | ← | → | — | 40 | 6 | 20,8 | 18 x 22 Z6 |
| 3A | 20 | 42 | 82 | 23 | ← | → | — | 45 | 6 | 22,8 | 21 x 25 Z6 |
| 4A | 22 | 47 | 95 | 25 | ← | → | — | 45 | 6 | 24,8 | 23 x 28 Z6 |
| 5A | 25 | 52 | 108 | 29 | ← | → | — | 45 | 8 | 28,3 | 26 x 32 Z6 |
| 6A | 30 | 58 | 122 | 34 | ← | → | — | 50 | 8 | 33,3 | 32 x 38 Z8 |